

QP-82C Pressure Transmitter



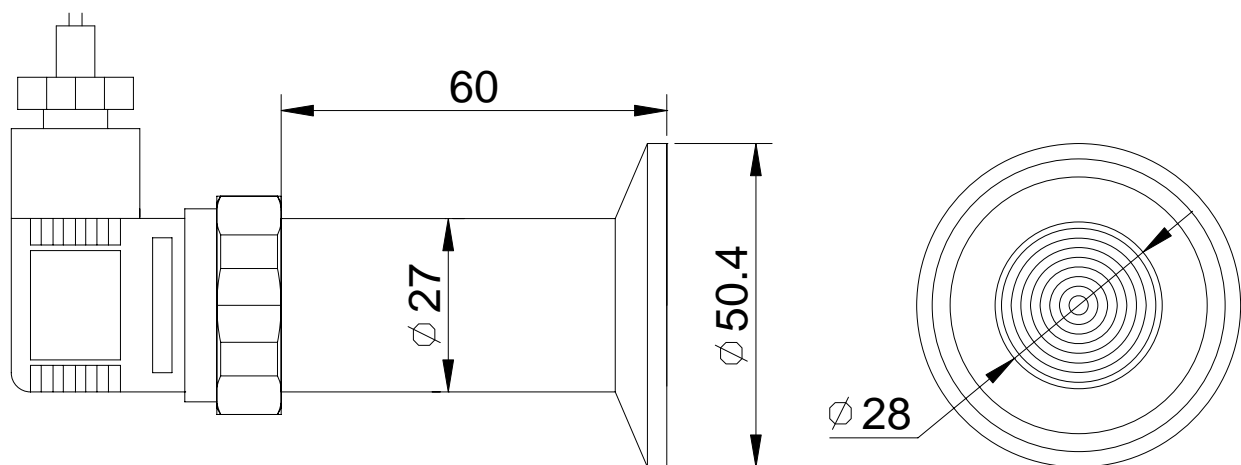
Model: QP-82C

Range: 0~35KPa...0~500KPa...0~2 MPa

Feature:

- ◆ flush membrane type pressure transmitters
- ◆ Have the characteristics of high precision, good stability, long working life and high reliability.
- ◆ Small in size, light in weight, Easy to installation.
- ◆ Electrical connection are able to chosen by customers.
- ◆ Suitable for the measuring and produce of medical treatment, food equipment.

Dimensions: (unit: mm)



QY Electronic Co Ltd

Address: No. 1032, Xinghan Road, Hantai District, Hanzhong, Shaanxi, China (Mainland)

Website: www.qysensor.com

TEL: +86-(0)916-2257989

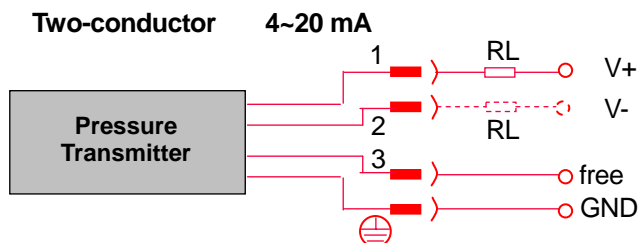
E-mail: info@qysensor.com

Zip: 723000

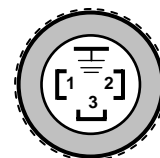
Technical Specifications

Measuring media	Gases or liquids which are compatible to 316L stainless steel	
Measuring range	0~35KPa...0~500KPa...0~2 MPa	
Pressure type	Gauge(G)	
Signal output	transmitter, mA (2 wires)	4~20mA
	transmitter, Vdc (3 wires)	0~10V, 1~5V, 0~5V, 0~20mA
Combined accuracy	%FS	±0.25(Standard), ±0.5 (Max)
Long stability	±0.1%FS/year (Standard) ; ±0.2%FS/year (Max)	
Power supply	Vdc	12~36 (Standard 24Vdc)
Compensated temp.	°C	-10~+60
Operating temp.	°C	-20~+80
Temperature coefficient of ZERO	%FS/10°C	±0.3%FS(≤100Kpa) , ±0.2%FS(>100Kpa)
Temperature coefficient of SPAN	%FS/10°C	±0.3%FS(≤100Kpa) , ±0.2%FS(>100Kpa)
Insulation resistance	MΩ	>500 @ 100Vdc
Electrical connection	DIN43650, Aviation connector, Directly lead (Selectable)	
Material	Housing Material	Stainless steel (1Cr18Ni9Ti)
	Material of diaphragm	316L Stainless steel
Environment protection	IP	65
Safe overload	%FS	150
Ultimate overload	%FS	200

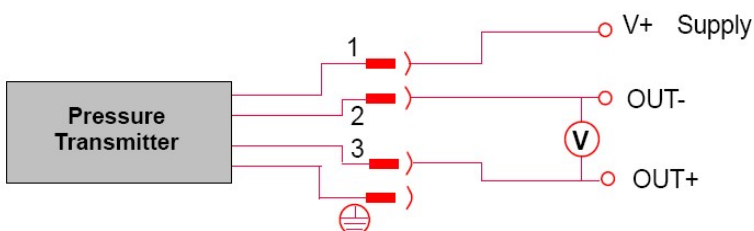
Electrical connection:



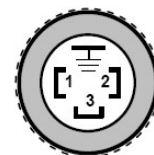
Pro-Linker



Three-Conductor 0~5V; 1~5V; 0~10V



Pro-Linker



※**Ordering code:** model- range & type-signal output-accuracy- electrical connection-defend grade-the other requests.

Example: QP-82C-0/300KPaG-4/20mA-0.5%FS-DIN43650-IP65-***

QY Electronic Co Ltd

Address: No. 1032, Xinghan Road, Hantai District, Hanzhong, Shaanxi, China (Mainland)

Website: www.qysensor.com

E-mail: info@qysensor.com

TEL: +86-(0)916-2257989

Zip: 723000