

# QY Electronic Co Ltd

## QH-61C



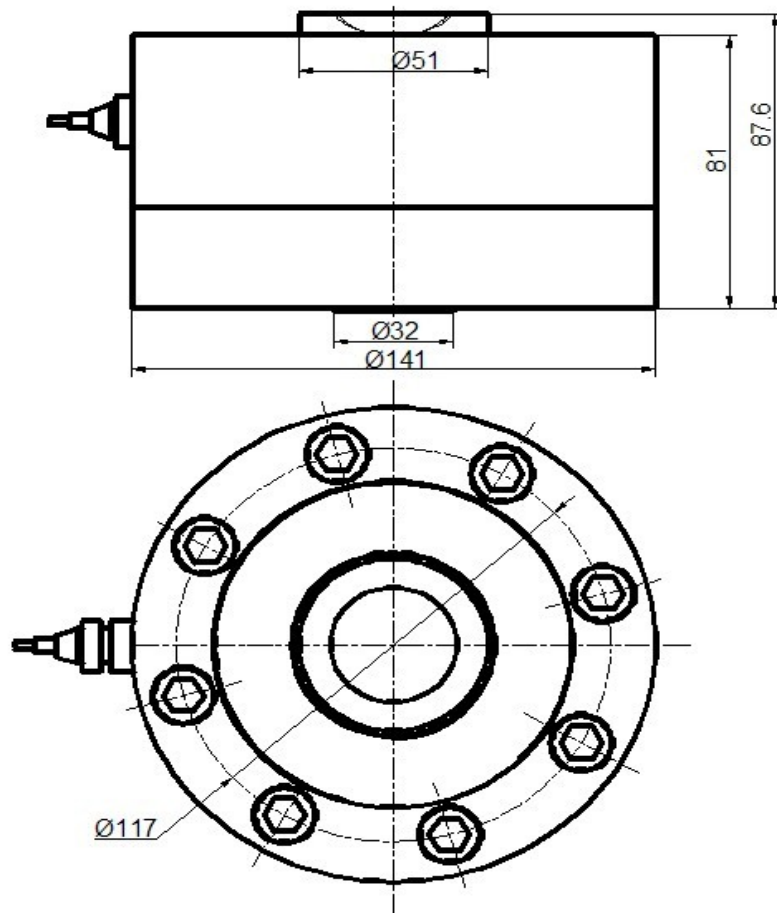
QH-61C load cells are available in the capacities from 10t to 50t.  
Alloy steel or aluminum alloy construction with spoke type.  
Silicon adhesive sealed inside, waterproof, anti-corrosion and suitable for all kinds of environment.  
Suitable for industrial control, dosing systems and other electronic weighing systems.



### Features:

- Capacity: 10t to 50t.
- Defend grade: IP66.
- With self-aligning ball
- Reliable performance, integral installation and easy installation.

### Electrical connection and Dimensions:



## QY Electronic Co Ltd

Address: No. 1032, Xinghan Road, Hantai District, Hanzhong, Shaanxi, China (Mainland)

Website: [www.qysensor.com](http://www.qysensor.com)

TEL: +86-(0)916-2257989

E-mail: [info@qysensor.com](mailto:info@qysensor.com)

Zip: 723000

### Technical Specifications

Specifications:		
capacity	klb	10,25,50
safe overload	%FS	150
ultimate overload	%FS	200
rated output	mV/V	$3.0 \pm 0.01$
excitation voltage	Vdc	9~ 12
combined error	%FS	$\pm 0.05$
zero unbalance	%FS	$\pm 1$
non-linearity	%FS	$\pm 0.05$
hysteresis	%FS	$\pm 0.05$
repeatability	%FS	$\pm 0.03$
creep	%FS/30min	$\pm 0.03$
input resistance	$\Omega$	$700 \pm 10$
output resistance	$\Omega$	$700 \pm 5$
insulation resistance	M $\Omega$	$\geq 5000 @ 50 \text{ Vdc}$
operating temperature range	$^{\circ}\text{C}$	-20 ~ +70
compensated temperature range	$^{\circ}\text{C}$	-10 ~ +40
temperature coefficient of SPAN	%FS/10 $^{\circ}\text{C}$	$\pm 0.03$
temperature coefficient of ZERO	%FS/10 $^{\circ}\text{C}$	$\pm 0.05$

### Electrical connection:

Excitation+ red    Excitation- black    Signal+ green    Signal- white

Four-core shielded cable with polyethylene.

Cable diameter :  $\varnothing 5\text{mm}$

Cable length: 12m

The cable length could be chose by customer's application.