

QH-22 load cells are available in the capacities from 0.5t to 5t.

Alloy steel & stainless steel construction with single shear beam type.

Sealed welding ,waterproof, anti-corrosion and suitable for all kinds of environment.

Integral structure and easy installation.

Suitable for electronic platform scales, truck scale, floor scale , hopper scale and other electronic weighing devices.



Features:

Capacity : 0.5t to 5t

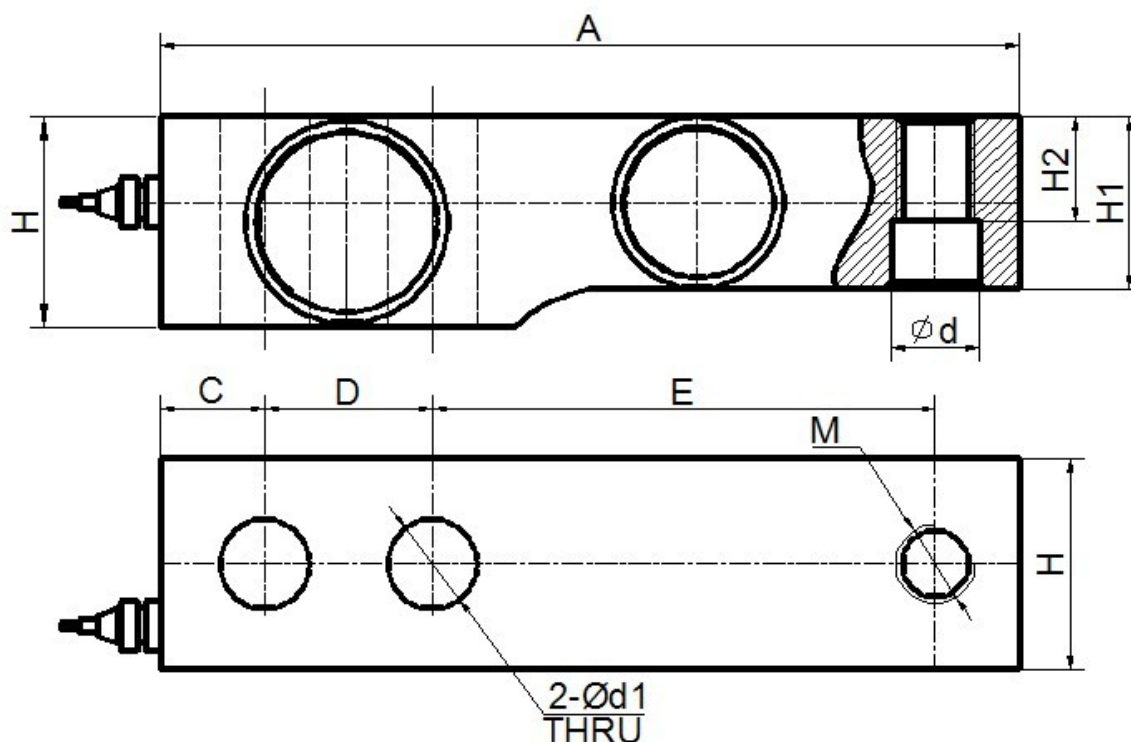
Defend grade: IP67 & IP68

High accuracy.

Alloy steel & stainless steel single shear beam

Low profile and nice exterior

Electrical connection and Dimensions:



| Cap (kg) | A | B | C | D | E | d | d1 | H | H1 | H2 | M |
|-----------|-----|------|------|------|------|------|------|------|------|------|----------|
| 500 | 130 | 53.7 | 15.8 | 25.4 | 76.2 | 13.5 | 13.5 | 31.8 | 26 | 15.8 | M12x1.75 |
| 1000-2000 | 130 | 53.7 | 15.8 | 25.4 | 76.2 | 13.5 | 13.5 | 31.8 | 28 | 15.8 | M12x1.75 |
| 2500-5000 | 171 | 77.2 | 19 | 38.1 | 95.4 | 20.5 | 20.5 | 38.1 | 32.1 | 15.8 | M20x2.5 |

QY Electronic Co Ltd

Address: No. 1032, Xinghan Road, Hantai District, Hanzhong, Shaanxi, China (Mainland)

Website: www.qysensor.com

E-mail: info@qysensor.com

TEL: +86-(0)916-2257989

Zip: 723000

Technical Specifications

| Specifications: | | | |
|---------------------------------|-----------|-----------------|---------|
| Capacity | t | 0.5, 1, 2, 5 | |
| Safe overload | %FS | 150 | |
| Ultimate overload | %FS | 200 | |
| Rated output | mV/V | 3.0 ± 0.003 | |
| Excitation voltage | Vdc | 9 ~ 12 | |
| Combined error | %FS | ± 0.03 | ±0.02 |
| Zero unbalance | %FS | ± 1 | |
| Non-linearity | %FS | ± 0.03 | ± 0.02 |
| Hysteresis | %FS | ± 0.03 | ± 0.02 |
| Repeatability | %FS | ± 0.02 | ± 0.01 |
| Creep | %FS/30min | ± 0.03 | ± 0.02 |
| Input resistance | Ω | 350 ± 5 | |
| Output resistance | Ω | 350 ± 3 | |
| Insulation resistance | M Ω | ≥ 5000 @ 50 Vdc | |
| Operating temperature range | °C | -20 ~ +55 | |
| Compensated temperature range | °C | -10 ~ +40 | |
| Temperature coefficient of SPAN | %FS/10°C | ± 0.025 | ± 0.017 |
| Temperature coefficient of ZERO | %FS/10°C | ± 0.03 | ± 0.03 |

Electrical connection:

Excitation+ red Excitation- black Signal+ green Signal- white

Four-core shielded cable with polyethylene.

Cable diameter : \varnothing 5mm

Cable length: 3 m

The cable length could be chose by customer's application.

QY Electronic Co Ltd

Address: No. 1032, Xinghan Road, Hantai District, Hanzhong, Shaanxi, China (Mainland)

Website: www.qysensor.com

E-mail: info@qysensor.com

TEL: +86-(0)916-2257989

Zip: 723000