

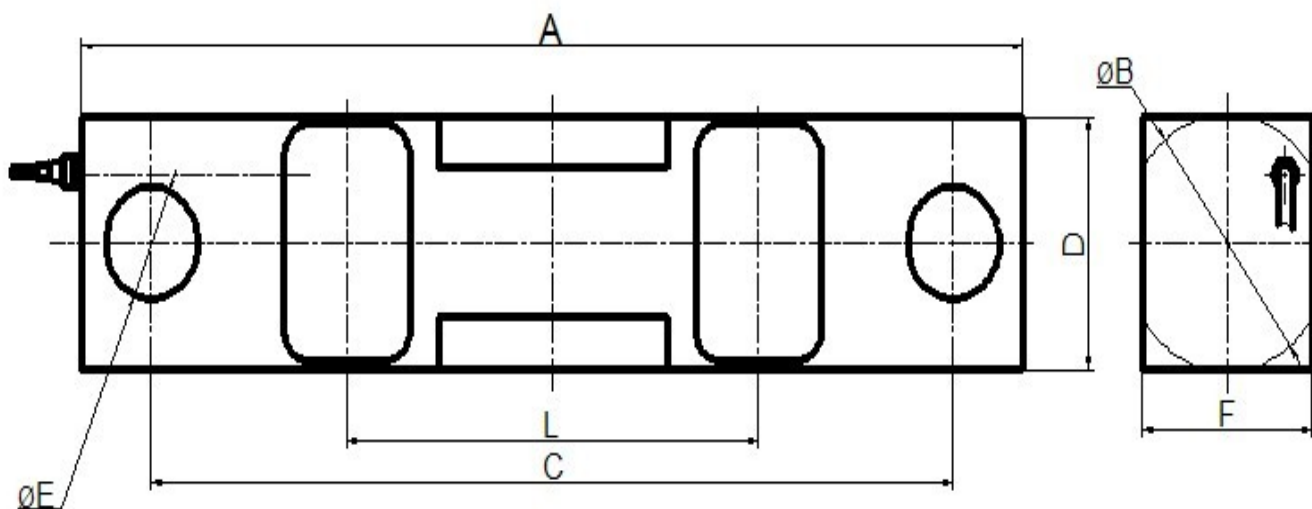
QH-41A load cells are available in the capacities from 1klb to 75klb,
 Alloy steel construction with double shear beam type,
 Silicon adhesive sealed inside, waterproof and anti-corrosion, suitable for multiform environments
 Integral structure and easy installation.
 Suitable for electronic truck scales, railway scales and other electronic weighing devices.



Features:

- Capacity: 1klb to 75klb
- Defend grade: IP66
- High accuracy.
- Alloy steel construction.
- Integral structure, reliable performance, and easy installation.

Electrical connection and Dimensions:



Cap(klb)	A	B	C	D	E	F	L
1~5	190.6	31.5	158.2	31.8	12.7	31.8	30.5
10~25	222.5	50.8	190.6	49.3	20.7	36.5	41.2
50~75	343.2	76.2	292.2	74.7	33.5	62	83.1

Technical Specifications

Specifications:		
capacity	klb	1, 5, 10, 25, 50, 75
safe overload	%FS	150
ultimate overload	%FS	200
rated output	mV/V	3.0± 0.006
excitation voltage	Vdc	10 ~ 15
combined error	%FS	± 0.03
zero unbalance	%FS	± 1
non-linearity	%FS	± 0.03
hysteresis	%FS	± 0.02
repeatability	%FS	± 0.02
creep	%FS/30min	± 0.02
input resistance	Ω	700 ± 10
output resistance	Ω	700 ± 5
insulation resistance	M Ω	≥ 5000 @ 50 Vdc
operating temperature range	°C	-20 ~ +55
compensated temperature range	°C	-10 ~ +40
temperature coefficient of SPAN	%FS/10°C	± 0.02
temperature coefficient of ZERO	%FS/10°C	± 0.03

Electrical connection:

Excitation+ red Excitation- black Signal+ green Signal- white

Four-core shielded cable with polyethylene. Cable is not connected with elastomer.

Cable length: 10 m

Cable diameter : \varnothing 5mm

The cable length could be chose by customer's application.