

## Flow switch QFS-400



QFS-400 flow switch is a kind of real-time monitoring measurement instrument that used for liquid flow in pipeline .It adopts full metal jacket, no moving parts, output continuously adjustable, compact structure. 6 LED real time display the state of flow and output. Convenient installation, suitable for various pipe diameters. Widely used in hydropower and other pipeline fluid flow monitoring industry.

**Model:** QFS-400

**Range:** 1~150cm/s(water),3~300cm/s(oil)

### Feature:

- ◆ High accuracy, good stability, long working life and high reliability
- ◆ Small in size, convenient installation
- ◆ 6 LED real time display.

**Dimensions :**( unit: mm)

## QY Electronic Co Ltd

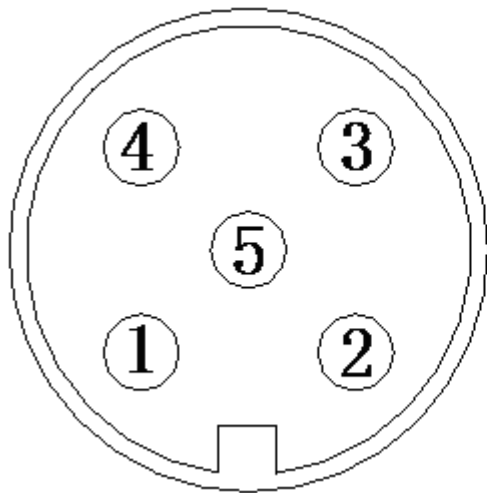
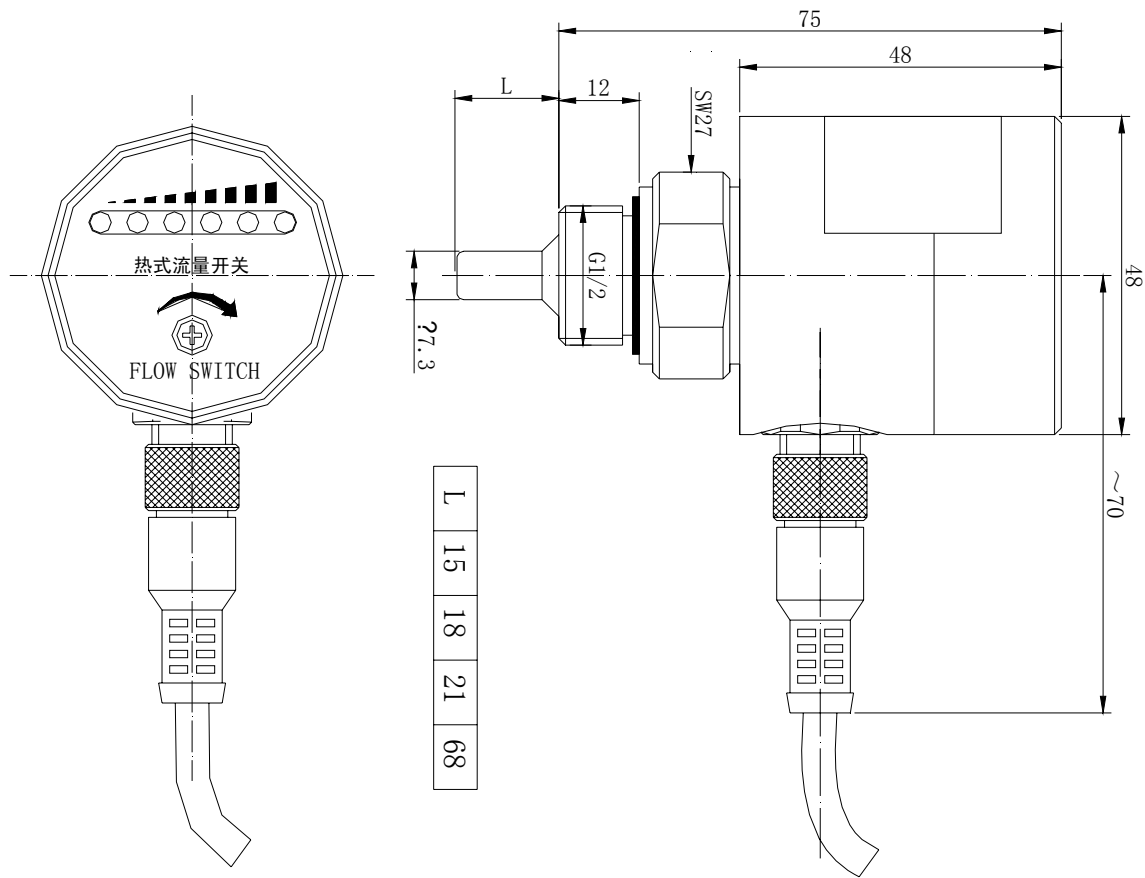
Address: No. 1032, Xinghan Road, Hantai District, Hanzhong, Shaanxi, China (Mainland)

Website: [www.qysensor.com](http://www.qysensor.com)

TEL: +86-(0)916-2257989

E-mail: [info@qysensor.com](mailto:info@qysensor.com)

Zip: 723000



NO.	Color
1	Brown
2	White
3	Blue
4	Black
5	Gray

### Electrical connection

Code	Color	NO.
Excitation +	Brown	1

## QY Electronic Co Ltd

Address: No. 1032, Xinghan Road, Hantai District, Hanzhong, Shaanxi, China (Mainland)

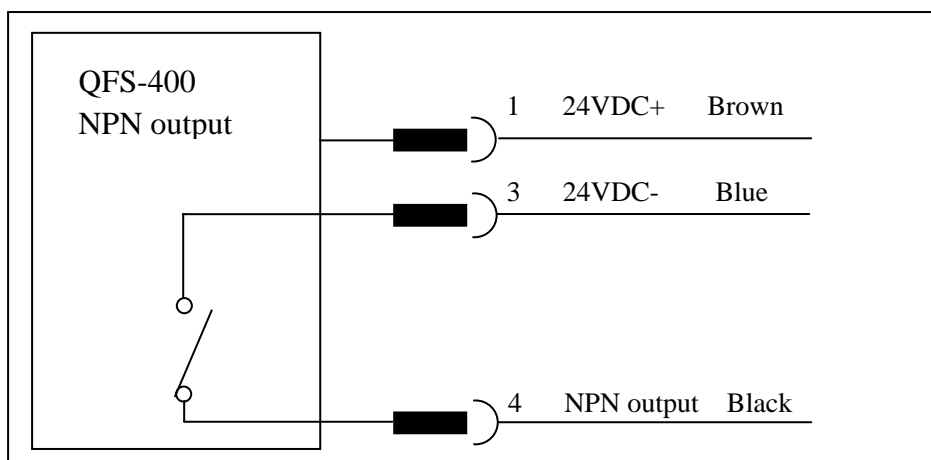
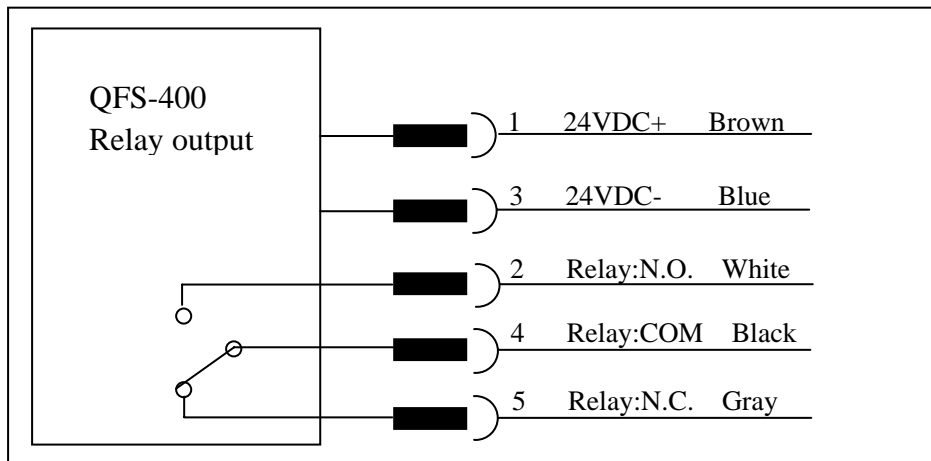
Website: [www.qysensor.com](http://www.qysensor.com)

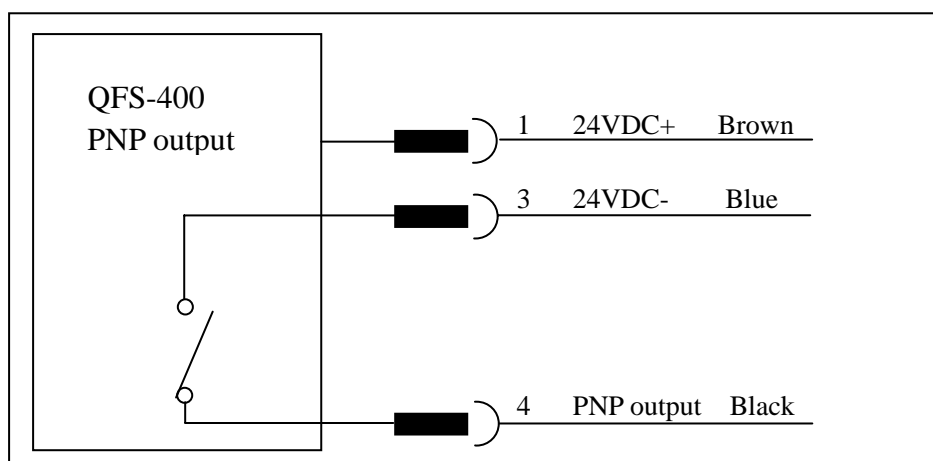
E-mail: [info@qysensor.com](mailto:info@qysensor.com)

TEL: +86-(0)916-2257989

Zip: 723000

Excitation -	Blue	3
Relay: Normally open	White	2
Relay: Normally close	Gray	5
Relay:COM	Black	4
Transistor:NPN	Black	4
Transistor:PNP	Black	4





### Technical Specifications:

Measuring media	dilute non-corrosive liquids(water,oil...)	
Measuring ranges	bar	1~150cm/s(water),3~300cm/s(oil)
Excitation voltage	Vdc	24±20%VDC
Output signal	Relay	SPDT(≤250VAC/30VDC, 3A)
	Transistor	NPN,PNP(≤24±20%VDC,1.2A)
Response time	s	2s(1~15s)
Initialize time	s	8s(2~15s)
Medium temp.	°C	-20~80°C
Environment temp.	°C	-10~+70
Storage temp.	°C	-25~85°C
Consumption current	mA	<90mA
Overload pressure	Mpa	10Mpa
Environment protection	IP rating	IP 67
Case Material	304 SS	
Material (wetted parts)	304 SS	

### Installation

1. The wetted parts need to immersed in fluid.Installation in small diameter pipeline to ensure that the probe can't contact with pipe's inner wall.
2. When the fluid can not completely fill the pipeline, products should be installed in

## QY Electronic Co Ltd

Address: No. 1032, Xinghan Road, Hantai District, Hanzhong, Shaanxi, China (Mainland)

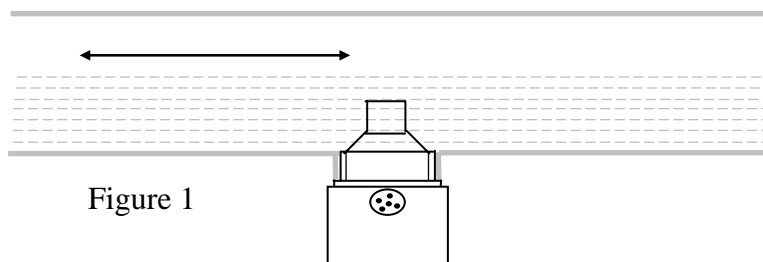
Website: [www.qysensor.com](http://www.qysensor.com)

TEL: +86-(0)916-2257989

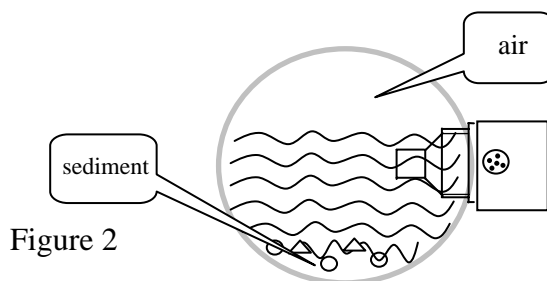
E-mail: [info@qysensor.com](mailto:info@qysensor.com)

Zip: 723000

the bottom of the pipe. (Figure 1)



3. If there may be sediment in the pipeline, please products installed in the pipeline side wall, horizontal mounting (Figure 2), to avoid the air and sediment



4. Installation in a straight pipe close to bend or intersection place, the pipe length should not be less than 4 times the diameter of pipeline.